

RCK 71 - Samostředící/Self-centring
Pro vyšší zatížení/High Torque Units

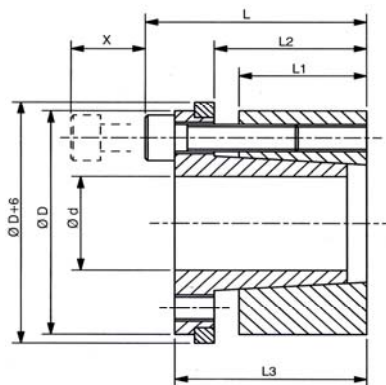
Doporučená tolerance: Hřídel-h8, Náboj-H8

Recommended tolerances: Shaft-h8, Hub-H8

Drsnost povrchu: Rt max. 16µm

Clamping surfaces: R_tmax. 16µm

Materiál: ST = ocel C43 / ST = steel C43



Upínací pouzdra RCK71 - samostředící / Clamping Elements RCK71 - Self-centring

Označení / Obj.č. Part.No.	Rozměry / Dimensions						Moment/ Torque Mt [Nm]	Tlak/Pressure		Up.šrouby/Clamp.Screws			Uvolň./Extr.		Hmot/ Weight [kg]
	d [mm]	D [mm]	L1 [mm]	L2 [mm]	L3 [mm]	L [mm]		Hř./Shaft [N/mm2]	Náb./Hub [N/mm2]	Počet/ No.	Typ/ Type	Moment/ Torq.Nm	Typ/ Type	Počet/ No.	
RCK71-19x47	19	47	26	31	39	45	300	228	98	4	M6x25	17	M6	2	0.39
RCK71-20x47	20	47	26	31	39	45	320	231	98	4	M6x25	17	M6	2	0.38
RCK71-22x47	22	47	26	31	39	45	370	211	99	4	M6x25	17	M6	2	0.37
RCK71-24x50	24	50	26	31	39	45	430	220	110	6	M6x25	17	M6	3	0.41
RCK71-25x50	25	50	26	31	39	45	480	226	113	6	M6x25	17	M6	3	0.40
RCK71-28x55	28	55	26	31	39	45	590	207	108	6	M6x25	17	M6	3	0.48
RCK71-30x55	30	55	26	31	39	45	650	226	121	6	M6x25	17	M6	3	0.45
RCK71-32x60	32	60	26	31	39	45	800	201	117	8	M6x25	17	M6	4	0.56
RCK71-35x60	35	60	26	31	39	45	860	206	121	8	M6x25	17	M6	4	0.52
RCK71-38x65	38	65	26	31	39	45	1030	201	124	8	M6x25	17	M6	4	0.62
RCK71-40x65	40	65	26	31	39	45	1130	239	146	8	M6x25	17	M6	4	0.59
RCK71-42x75	42	75	30	36	47	55	1930	221	138	6	M8x30	41	M8	3	0.97
RCK71-45x75	45	75	30	36	47	55	1950	221	138	6	M8x30	41	M8	3	0.95
RCK71-48x80	48	80	30	36	47	55	2180	226	145	6	M8x30	41	M8	3	1.07
RCK71-50x80	50	80	30	36	47	55	2210	226	146	6	M8x30	41	M8	3	1.02
RCK71-55x85	55	85	30	36	47	55	2730	226	146	8	M8x30	41	M8	4	1.09
RCK71-60x90	60	90	30	36	47	55	2910	201	134	8	M8x30	41	M8	4	1.19
RCK71-65x95	65	95	30	36	47	55	3570	211	145	8	M8x30	41	M8	4	1.27
RCK71-70x110	70	110	40	46	57	67	5830	226	145	8	M10x35	83	M10	4	2.03
RCK71-75x115	75	115	40	46	62	72	6330	221	151	8	M10x35	83	M10	4	2.65
RCK71-80x120	80	120	40	46	62	72	6840	202	142	8	M10x35	83	M10	4	2.78
RCK71-85x125	85	125	40	46	62	72	8160	221	161	10	M10x35	83	M10	4	2.92
RCK71-90x130	90	130	40	46	62	72	8670	201	146	10	M10x35	83	M10	4	3.07
RCK71-95x135	95	135	40	46	62	72	10200	191	141	10	M10x35	83	M10	4	3.21
RCK71-100x145	100	145	46	52	77	89	13600	201	151	8	M12x45	145	M12	4	4.80
RCK71-110x155	110	155	46	52	77	89	14870	201	182	8	M12x45	145	M12	4	5.20
RCK71-120x165	120	165	46	52	77	89	19460	221	162	10	M12x45	145	M12	4	5.58
RCK71-130x180	130	180	46	52	77	89	20820	202	146	12	M12x45	145	M12	4	5.86
RCK71-140x190	140	190	51	59	84	90	25410	192	141	8	M14x45	230	M14	4	7.62
RCK71-150x200	150	200	51	59	84	90	30720	202	152	10	M14x45	230	M14	5	8.04
RCK71-160x210	160	210	51	59	84	90	33150	202	152	10	M14x45	230	M14	5	8.56
RCK71-170x225	170	225	51	59	84	90	34000	161	121	12	M14x45	230	M14	6	9.19
RCK71-180x235	180	235	51	59	84	90	34250	157	122	12	M14x45	230	M14	6	9.83