

**RCK 13 - Samostředící/Self-centring**  
Pro střední zatížení/Standard General Purpose  
Možný axiál.posuv náboje

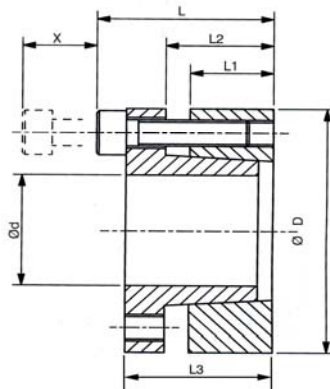
Doporučená tolerance: Hřídel-h8, Náboj-H8

Recommended tolerances: Shaft-h8, Hub-H8

Drsnost povrchu: Rt max. 16µm

Clamping surfaces: Rtmax. 16µm

Materiál: ST = ocel C43 / ST = steel C43



**Upínací pouzdra RCK13 - samostředící / Clamping Elements RCK13 - Self-centring**

Označení / Obj.č. Part.No.	Rozměry / Dimensions						Moment/ Torque Mt [Nm]	Tlak/Pressure		Up.šrouby/Clamp.Screws			Uvolň./Extr.		Hmot/ Weight [kg]
	d [mm]	D [mm]	L1 [mm]	L2 [mm]	L3 [mm]	L [mm]		Hř./Shaft [N/mm2]	Náb./Hub [N/mm2]	Počet/ No.	Typ/ Type	Moment/ Torq.Nm	Typ/ Type	Počet/ No.	
RCK13-18x47	18	47	17	22	28	34	310	314	120	5	M6x20	14	M6	3	0.27
RCK13-19x47	19	47	17	22	28	34	330	300	120	5	M6x20	14	M6	3	0.27
RCK13-20x47	20	47	17	22	28	34	380	295	125	5	M6x20	14	M6	3	0.26
RCK13-22x47	22	47	17	22	28	34	410	270	125	5	M6x20	14	M6	3	0.25
RCK13-24x50	24	50	17	22	28	34	440	243	120	6	M6x20	14	M6	3	0.28
RCK13-25x50	25	50	17	22	28	34	560	285	140	6	M6x20	14	M6	3	0.27
RCK13-28x55	28	55	17	22	28	34	630	255	130	6	M6x20	14	M6	3	0.32
RCK13-30x55	30	55	17	22	28	34	660	235	130	6	M6x20	14	M6	3	0.30
RCK13-32x60	32	60	17	22	28	34	960	295	155	8	M6x20	14	M6	4	0.37
RCK13-35x60	35	60	17	22	28	34	1050	270	155	8	M6x20	14	M6	4	0.34
RCK13-38x65	38	65	17	22	28	34	1140	250	145	8	M6x20	14	M6	4	0.41
RCK13-40x65	40	65	17	22	28	34	1200	235	145	8	M6x20	14	M6	4	0.38
RCK13-45x75	45	75	20	25	33	41	2180	290	170	7	M8x25	35	M8	3	0.63
RCK13-50x80	50	80	20	25	33	41	2430	260	160	7	M8x25	35	M8	3	0.68
RCK13-55x85	55	85	20	25	33	41	3070	270	175	8	M8x25	35	M8	4	0.73
RCK13-60x90	60	90	20	25	33	41	3350	245	165	8	M8x25	35	M8	4	0.78
RCK13-65x95	65	95	20	25	33	41	4080	255	175	9	M8x25	35	M8	3	0.83
RCK13-70x110	70	110	24	30	40	50	6280	280	180	8	M10x30	70	M10	4	1.33
RCK13-75x115	75	115	24	30	40	50	6680	260	170	8	M10x30	70	M10	4	1.39
RCK13-80x120	80	120	24	30	40	50	7130	250	160	8	M10x30	70	M10	4	1.48
RCK13-85x125	85	125	24	30	40	50	8480	260	180	9	M10x30	70	M10	3	1.55
RCK13-90x130	90	130	24	30	40	50	9080	250	170	9	M10x30	70	M10	3	1.63
RCK13-95x135	95	135	24	30	40	50	10580	260	180	10	M10x30	70	M10	4	1.70
RCK13-100x145	100	145	26	32	44	56	13380	270	190	8	M12x35	125	M12	4	2.60
RCK13-110x155	110	155	26	32	44	56	14580	240	180	8	M12x35	125	M12	4	2.80
RCK13-120x165	120	165	26	32	44	56	17880	250	180	9	M12x35	125	M12	4	3.00
RCK13-130x180	130	180	34	40	52	64	29980	240	170	12	M12x35	125	M12	6	4.60
RCK13-140x190	140	190	34	40	54	68	26980	210	150	9	M14x40	190	M14	4	4.90
RCK13-150x200	150	200	34	40	54	68	32980	230	170	10	M14x40	190	M14	5	5.20
RCK13-160x210	160	210	34	40	54	68	37980	230	170	11	M14x40	190	M14	4	5.50
RCK13-170x225	170	225	44	50	64	78	44980	180	130	12	M14x40	190	M14	6	7.70
RCK13-180x235	180	235	44	50	64	78	46980	170	130	12	M14x40	190	M14	6	8.10