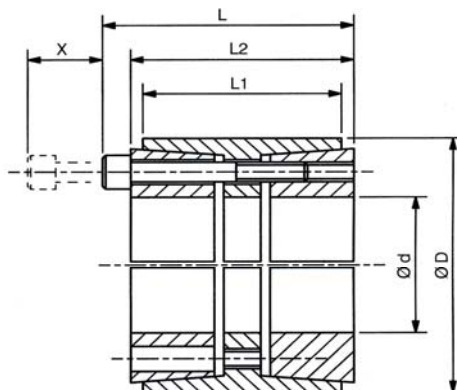


RCK 11 - Samostředící/Self-centring
Max.kroutící momenty/Maximum Torque Units



Doporučená tolerance: Hřídel-h8, Náboj-H8

Recommended tolerances: Shaft-h8, Hub-H8

Drsnost povrchu: Rt max. 16µm

Clamping surfaces: Rtmax. 16µm

Materiál: ST = ocel C43 / ST = steel C43

Upínací pouzdra RCK11 - samostředící / Clamping Elements RCK11 - Self-centring

Označení / Obj.č. Part.No.	Rozměry / Dimensions					Moment/ Torque Mt [Nm]	Tlak/Pressure		Up.šrouby/Clamp.Screws			Uvolň./Extr.		Hmot/ Weight [kg]
	d [mm]	D [mm]	L1 [mm]	L2 [mm]	L [mm]		Hř./Shaft [N/mm2]	Náb./Hub [N/mm2]	Počet/ No.	Typ/ Type	Moment/ Torq.Nm	Typ/ Type	Počet/ No.	
RCK11-25x55	25	55	32	40	46	840	295	134	6	M6x35	17	M6	3	0,39
RCK11-28x55	28	55	32	40	46	940	264	134	6	M6x35	17	M6	3	0,37
RCK11-30x55	30	55	32	40	46	1000	246	134	6	M6x35	17	M6	3	0,35
RCK11-35x60	35	60	44	54	60	1360	174	101	7	M6x45	17	M6	3	0,62
RCK11-38x75	38	75	44	54	62	2740	296	150	7	M8x50	41	M8	3	1,02
RCK11-40x75	40	75	44	54	62	2880	281	150	7	M8x50	41	M8	3	0,96
RCK11-42x75	42	75	44	54	62	3030	268	150	7	M8x50	41	M8	3	0,91
RCK11-45x75	45	75	44	54	62	3240	250	150	7	M8x50	41	M8	3	0,89
RCK11-48x80	48	80	44	54	62	3950	207	124	8	M8x50	41	M8	3	1,10
RCK11-50x80	50	80	56	64	72	4150	200	98	8	M8x50	41	M8	3	1,30
RCK11-55x85	55	85	56	64	72	5150	205	104	9	M8x50	41	M8	3	1,40
RCK11-60x90	60	90	56	64	72	6200	202	106	10	M8x50	41	M8	4	1,50
RCK11-65x95	65	95	56	64	72	6750	187	100	10	M8x50	41	M8	4	1,60
RCK11-70x110	70	110	70	78	88	11500	223	114	10	M10x60	83	M10	4	3,00
RCK11-75x115	75	115	70	78	88	12300	223	114	10	M10x60	83	M10	4	3,20
RCK11-80x120	80	120	70	78	88	14500	215	115	11	M10x60	83	M10	4	3,50
RCK11-85x125	85	125	70	78	88	15400	215	115	12	M10x60	83	M10	5	3,70
RCK11-90x130	90	130	70	78	88	17800	208	115	12	M10x60	83	M10	5	3,90
RCK11-95x135	95	135	70	78	88	18700	208	115	12	M10x60	83	M10	5	4,10
RCK11-100x145	100	145	90	100	112	26300	200	107	11	M12x80	145	M12	4	6,00
RCK11-110x155	110	155	90	100	112	31800	198	110	12	M12x80	145	M12	5	7,00
RCK11-120x165	120	165	90	100	112	40400	212	120	14	M12x80	145	M12	5	7,80
RCK11-130x180	130	180	104	116	130	51500	192	112	12	M14x90	230	M14	5	10,00
RCK11-140x190	140	190	104	116	130	64700	208	124	14	M14x90	230	M14	7	11,00
RCK11-150x200	150	200	104	116	130	74200	208	127	15	M14x90	230	M14	6	12,00
RCK11-160x210	160	210	104	116	130	84500	208	128	16	M14x90	230	M14	7	13,00
RCK11-170x225	170	225	134	148	164	108200	182	113	14	M16x110	355	M16	6	18,00
RCK11-180x235	180	235	134	148	164	123250	184	115	15	M16x110	355	M16	7	20,00
RCK11-190x250	190	250	134	148	164	133800	186	116	16	M16x110	355	M16	7	22,00
RCK11-200x260	200	260	134	148	164	146000	177	112	16	M16x110	355	M16	7	24,00
RCK11-220x285	220	285	134	148	164	181000	188	115	18	M16x110	355	M16	8	27,00
RCK11-240x305	240	305	134	148	164	218000	184	119	20	M16x110	355	M16	9	30,00
RCK11-260x325	260	325	134	148	164	250000	178	117	21	M16x110	355	M16	10	33,00
RCK11-280x355	280	355	165	177	197	360000	185	117	18	M20x130	690	M20	8	48,00
RCK11-300x375	300	375	165	177	197	428000	192	123	20	M20x130	690	M20	9	52,00