

RCK 25 - Nesamostředící/Not self-centring  
RCK 26 - Samostředící/Self-centring  
Jednoduchá pouzdra s maticí/Single Nut Clampings

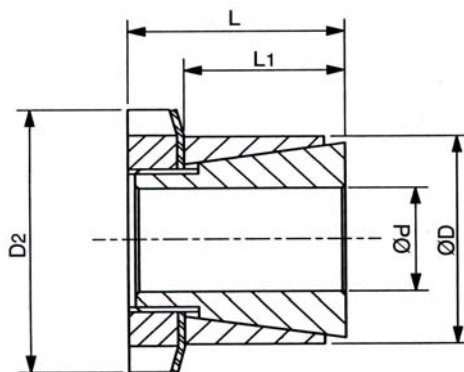
Doporučená tolerance: Hřídel-h8, Náboj-H8

Recommended tolerances: Shaft-h8, Hub-H8

Drsnost povrchu: Rt max. 16µm

Clamping surfaces: Rtmax. 16µm

Materiál: ST = ocel C43 / ST = steel C43



### Upínací pouzdra BK25 a BK26 / Clamping Elements BK25 and BK26

Označení / Obj.č. Part.No.	Rozměry / Dimensions					Moment/ Torque Mt [Nm]	Ax.síla Ax.Force F [kN]	Tlak/Pressure		Utahovací.maticice/Locking Nut		
	d [mm]	D [mm]	D2 [mm]	L [mm]	L1 [mm]			Hř./Shaft [N/mm2]	Náb./Hub [N/mm2]	Typ/ Type	Závit/ Thread	Mom./ Nm
BK25-14x25	14	25	32	16,5	6,5	37	5	130	73	KM4	M20x1	65
BK25-15x25	15	25	32	16,5	6,5	40	5	122	73	KM4	M20x1	65
BK25-16x25	16	25	32	16,5	6,5	42	5	114	73	KM4	M20x1	65
BK25-18x30	18	30	38	17	7	65	7	133	80	KM5	M25x1,5	85
BK25-19x30	19	30	38	17	7	60	6	111	70	KM5	M25x1,5	95
BK25-20x30	20	30	38	17	7	70	7	120	80	KM5	M25x1,5	110
BK25-24x35	24	35	45	17	7	100	8	117	80	KM6	M30x1,5	155
BK25-25x35	25	35	45	17	7	110	9	126	90	KM6	M30x1,5	160
BK25-28x40	28	40	52	20	8	140	10	100	70	KM7	M35x1,5	200
BK25-30x40	30	40	52	20	8	170	11	107	80	KM7	M35x1,5	240
BK25-32x45	32	45	58	22	9	210	13	113	80	KM8	M40x1,5	320
BK25-35x45	35	45	58	22	9	230	13	103	80	KM8	M40x1,5	320
BK25-40x52	40	52	65	23	9	330	17	113	90	KM9	M45x1,5	440
BK25-45x57	45	57	70	25,5	10	440	20	110	90	KM10	M50x1,5	550
BK25-50x62	50	62	75	25,5	10	530	21	108	90	KM11	M55x2	660
BK25-60x73	60	73	85	29,5	12	830	28	93	80	KM13	M65x2	900
BK26-14x25	14	25	32	29	17	90	13	143	80	KM4	M20x1	90
BK26-15x25	15	25	32	29	17	100	13	133	80	KM4	M20x1	90
BK26-16x25	16	25	32	29	17	80	10	94	60	KM4	M20x1	70
BK26-18x30	18	30	38	31	18	200	22	183	110	KM5	M25x1,5	190
BK26-19x30	19	30	38	31	18	170	18	142	90	KM5	M25x1,5	150
BK26-20x30	20	30	38	31	18	130	13	90	60	KM5	M25x1,5	110
BK26-24x35	24	35	45	35	22	270	23	117	80	KM6	M30x1,5	230
BK26-25x35	25	35	45	35	22	200	16	84	60	KM6	M30x1,5	170
BK26-28x40	28	40	52	35	22	460	33	157	110	KM7	M35x1,5	390
BK26-30x40	30	40	52	35	22	300	20	93	70	KM7	M35x1,5	240
BK26-32x45	32	45	58	42	28	420	26	98	70	KM8	M40x1,5	320
BK26-35x45	35	45	58	42	28	460	26	77	60	KM8	M40x1,5	320
BK26-40x50	40	50	65	44	28	640	32	88	70	KM9	M45x1,5	440
BK26-45x55	45	55	70	45	28	760	34	73	60	KM10	M50x1,5	550
BK26-50x60	50	60	75	46	28	930	37	72	60	KM11	M55x2	660
BK26-60x70	60	70	85	52	28	1500	50	82	70	KM13	M65x2	1050