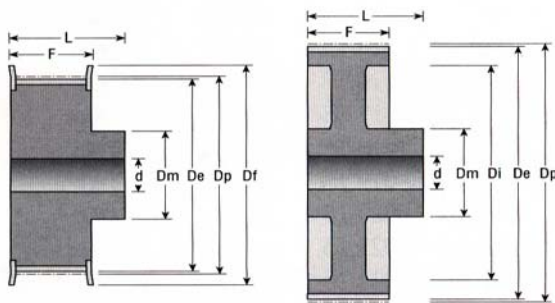


Figur 6F

Typ 5M - Pro řemeny HTD 5M (resp. 5RPP) - rozteč 5,0mm / For belts HTD 5M (5RPP) - Pitch 5,0mm

Zubů Teeth	Šíř.ř. Width	Označení / Obj.č. Part.No.	Typ Fig.	* Mat.	Dp [mm]	De [mm]	Df [mm]	Dm [mm]	Di [mm]	F [mm]	L [mm]	d [mm]	m [kg]
12	9	12-05M-09	6F	ST	19,10	17,96	25,00	13,00	-	14,5	20,0	4,0	0,028
	15	12-05M-15	6F	ST	19,10	17,96	25,00	13,00	-	20,5	26,0	4,0	0,034
	25	12-05M-25	6F	ST	19,10	17,96	25,00	13,00	-	30,5	36,0	4,0	0,050
14	9	14-05M-09	6F	ST	22,28	21,14	25,00	13,00	-	14,5	20,0	6,0	0,034
	15	14-05M-15	6F	ST	22,28	21,14	25,00	13,00	-	20,5	26,0	6,0	0,046
	25	14-05M-25	6F	ST	22,28	21,14	25,00	13,00	-	30,5	36,0	6,0	0,070
15	9	15-05M-09	6F	ST	23,87	22,73	28,00	16,00	-	14,5	20,0	6,0	0,042
	15	15-05M-15	6F	ST	23,87	22,73	28,00	16,00	-	20,5	26,0	6,0	0,056
	25	15-05M-25	6F	ST	23,87	22,73	28,00	16,00	-	30,5	36,0	6,0	0,080
16	9	16-05M-09	6F	ST	25,46	24,32	28,00	16,00	-	14,5	20,0	6,0	0,050
	15	16-05M-15	6F	ST	25,46	24,32	28,00	16,00	-	20,5	26,0	6,0	0,064
	25	16-05M-25	6F	ST	25,46	24,32	28,00	16,00	-	30,5	36,0	6,0	0,100
18	9	18-05M-09	6F	ST	28,65	27,51	32,00	19,00	-	14,5	20,0	6,0	0,070
	15	18-05M-15	6F	ST	28,65	27,51	32,00	19,00	-	20,5	26,0	6,0	0,086
	25	18-05M-25	6F	ST	28,65	27,51	32,00	19,00	-	30,5	36,0	6,0	0,120
20	9	20-05M-09	6F	ST	31,83	30,69	36,00	23,00	-	14,5	22,5	6,0	0,094
	15	20-05M-15	6F	ST	31,83	30,69	36,00	23,00	-	20,5	26,0	6,0	0,112
	25	20-05M-25	6F	ST	31,83	30,69	36,00	23,00	-	30,5	36,0	6,0	0,160
21	9	21-05M-09	6F	ST	33,42	32,28	38,00	24,00	-	14,5	22,5	6,0	0,110
	15	21-05M-15	6F	ST	33,42	32,28	38,00	24,00	-	20,5	26,0	6,0	0,130
	25	21-05M-25	6F	ST	33,42	32,28	38,00	24,00	-	30,5	38,0	6,0	0,190
22	9	22-05M-09	6F	ST	35,01	33,87	38,00	25,50	-	14,5	22,5	6,0	0,118
	15	22-05M-15	6F	ST	35,01	33,87	38,00	25,50	-	20,5	26,0	6,0	0,140
	25	22-05M-25	6F	ST	35,01	33,87	38,00	25,50	-	30,5	38,0	6,0	0,210
24	9	24-05M-09	6F	ST	38,20	37,06	42,00	27,00	-	14,5	22,5	6,0	0,145
	15	24-05M-15	6F	ST	38,20	37,06	42,00	27,00	-	20,5	28,0	6,0	0,180
	25	24-05M-25	6F	ST	38,20	37,06	42,00	27,00	-	30,5	38,0	6,0	0,250
26	9	26-05M-09	6F	ST	41,38	40,24	44,00	30,00	-	14,5	22,5	6,0	0,170
	15	26-05M-15	6F	ST	41,38	40,24	44,00	30,00	-	20,5	28,0	6,0	0,220
	25	26-05M-25	6F	ST	41,38	40,24	44,00	30,00	-	30,5	38,0	6,0	0,300
28	9	28-05M-09	6F	ST	44,56	43,42	48,00	30,50	-	14,5	22,5	6,0	0,200
	15	28-05M-15	6F	ST	44,56	43,42	48,00	30,50	-	20,5	28,0	6,0	0,250
	25	28-05M-25	6F	ST	44,56	43,42	48,00	30,50	-	30,5	38,0	6,0	0,350
30	9	30-05M-09	6F	ST	47,75	46,60	51,00	35,00	-	14,5	22,5	6,0	0,236
	15	30-05M-15	6F	ST	47,75	46,60	51,00	35,00	-	20,5	28,0	6,0	0,300
	25	30-05M-25	6F	ST	47,75	46,60	51,00	35,00	-	30,5	38,0	6,0	0,420
32	9	32-05M-09	6F	ST	50,93	49,79	54,00	38,00	-	14,5	22,5	8,0	0,270
	15	32-05M-15	6F	ST	50,93	49,79	54,00	38,00	-	20,5	28,0	8,0	0,350
	25	32-05M-25	6F	ST	50,93	49,79	54,00	38,00	-	30,5	38,0	8,0	0,480
36	9	36-05M-09	6F	ST	57,30	56,16	60,00	38,00	-	14,5	22,5	8,0	0,324
	15	36-05M-15	6F	ST	57,30	56,16	60,00	38,00	-	20,5	28,0	8,0	0,520
	25	36-05M-25	6F	ST	57,30	56,16	60,00	38,00	-	30,5	38,0	8,0	0,590

* Materiál: ST = ocel, AL = slitina hliníku / ST = steel, AL = Aluminium



Figur 6F

Figur 6W



Typ 5M - Pro řemeny HTD 5M (resp. 5RPP) - rozteč 5,0mm / For belts HTD 5M (5RPP) - Pitch 5,0mm

Zubů Teeth	Šíř.ř. Width	Označení / Obj.č. Part.No.	Typ Fig.	* Mat. Material	Dp [mm]	De [mm]	Df [mm]	Dm [mm]	Di [mm]	F [mm]	L [mm]	d [mm]	m [kg]
40	9	40-05M-09	6F	ST	63,66	62,52	71,00	38,00	-	14,5	22,5	8,0	0,400
	15	40-05M-15	6F	ST	63,66	62,52	71,00	38,00	-	20,5	28,0	8,0	0,426
	25	40-05M-25	6F	ST	63,66	62,52	71,00	38,00	-	30,5	38,0	8,0	0,740
44	9	44-05M-09	6W	AL	70,03	68,89	-	38,00	-	14,5	25,5	8,0	0,170
	15	44-05M-15	6W	AL	70,03	68,89	-	38,00	-	20,5	30,0	8,0	0,225
	25	44-05M-25	6W	AL	70,03	68,89	-	38,00	-	30,5	40,0	8,0	0,320
48	9	48-05M-09	6W	AL	76,39	75,25	-	45,00	-	14,5	25,5	8,0	0,182
	15	48-05M-15	6W	AL	76,39	75,25	-	38,00	-	20,5	30,0	8,0	0,187
	25	48-05M-25	6W	AL	76,39	75,25	-	38,00	-	30,5	40,0	8,0	0,275
60	9	60-05M-09	6W	AL	95,49	94,35	-	45,00	-	14,5	25,5	8,0	0,230
	15	60-05M-15	6W	AL	95,49	94,35	-	50,00	-	20,5	30,0	8,0	0,305
	25	60-05M-25	6W	AL	95,49	94,35	-	50,00	-	30,5	40,0	8,0	0,435
72	9	72-05M-09	6W	AL	114,59	113,45	-	45,00	-	14,5	25,5	8,0	0,270
	15	72-05M-15	6W	AL	114,59	113,45	-	50,00	-	20,5	30,0	8,0	0,375
	25	72-05M-25	6W	AL	114,59	113,45	-	50,00	-	30,5	40,0	8,0	0,525

* Materiál: ST = ocel, AL = slitina hliníku / ST = steel, AL = Aluminium